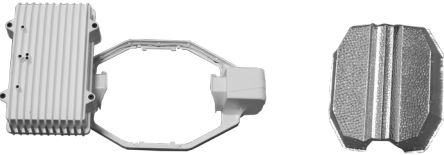


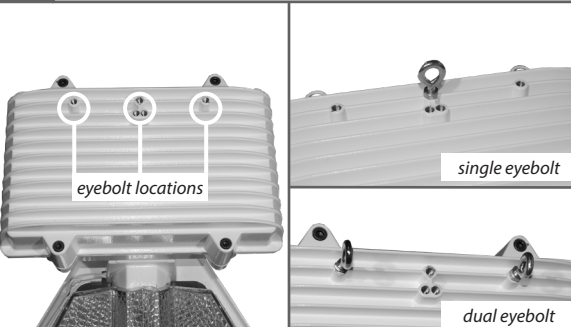
1 Prepare Light Fixtures



NOTE: You will need to purchase 2x lengths of chain to mount the product. Length of the chains will depend on the desired mount height above the crop.

- Arrange boxed light fixtures on floor in specified mounting locations; remove fixtures and mounting accessories from boxes.

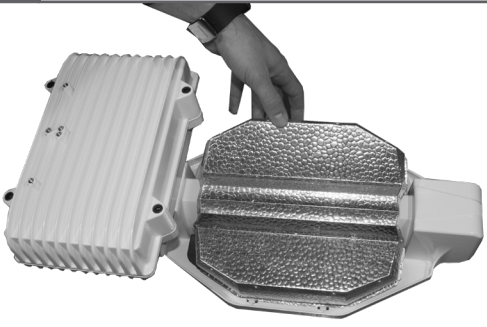
2 Install Eye Bolt(s)



- Eyebolts (can be installed in single or dual locations on the back of the housing).
- Thread eyebolt into desired location(s) and tighten.

Note: Dual eyebolts are recommended for levelling purposes.


3 Insert Reflector into Collar



- Slide reflector into collar at an angle, so that outer rim is inserted beneath the collar tabs.

Note: Wear cotton gloves or wash hands thoroughly with soap & water to remove any grime/oils before handling reflector.

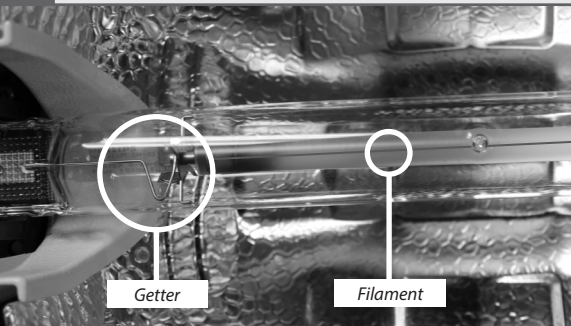
4 Adjust and Secure Reflector



- Using both hands, adjust the reflector from the inside, by gently pressing outwards until the outer rim fits securely beneath the collar tabs on all sides.

Note: Wear cotton gloves or wash hands thoroughly with soap & water to remove any grime/oils before handling reflector.

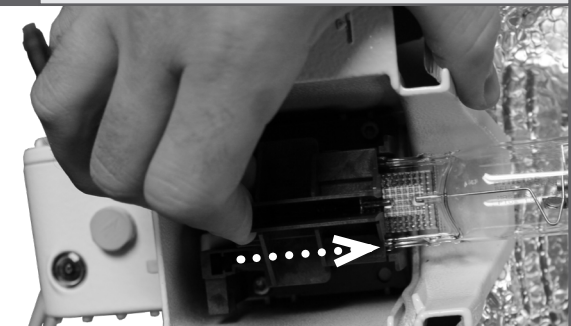
5A Install Lamp



- Slide the plastic locks outwards.
- Install lamp, ensuring side with “getter” is closest to electronics compartment and burner filament is on top (away from reflector).

Note: Always wear cotton gloves when handling double-ended lamps.

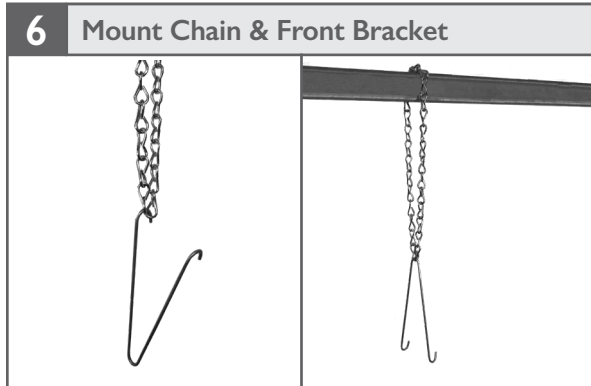
5B



- Slide lamp holder locks back in place to secure lamp.
- Ensure that the sliding mechanism has fully closed against the stop.

Note: Always wear cotton gloves when handling double-ended lamps.

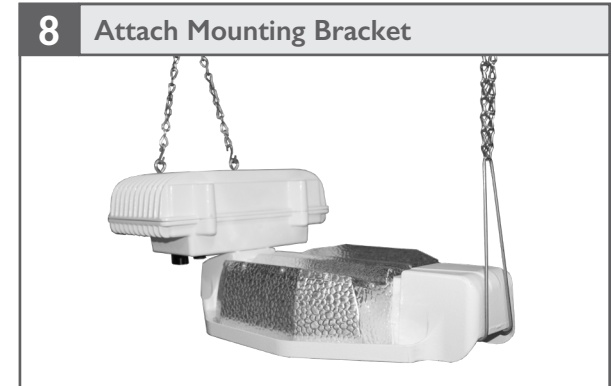
! ATTENTION: Install in accordance with national and local building and electrical codes. !



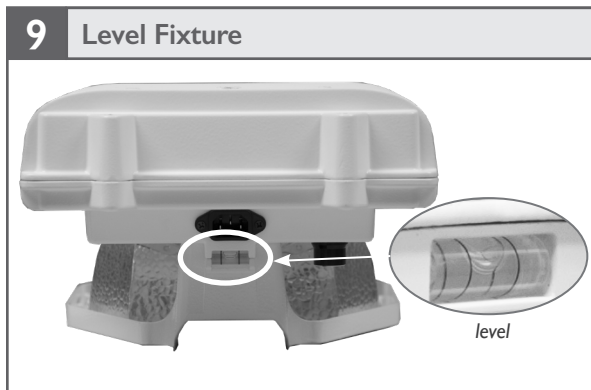
- Cut chain (supplied by others) to appropriate length for desired mounting height.
- Hang one chain over truss/track and insert mounting bracket through final links on both ends of chain.
- Rotate bracket so that hooks are facing downward.



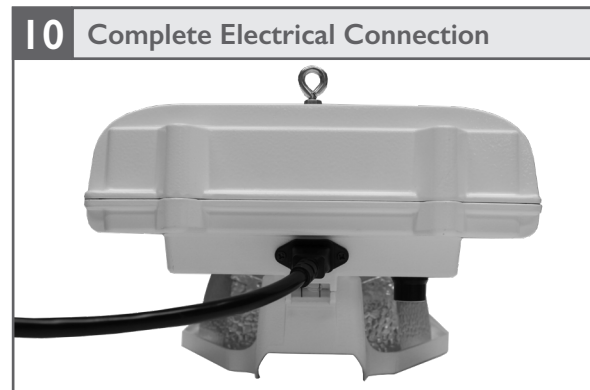
- Cut second chain (supplied by others) to appropriate length for desired mounting height; hang chain over truss/track.
- Insert S-hook(s) through last link on either end of chain.
- Raise fixture to ceiling and insert free ends of S-hook(s) in eyebolt(s) on fixture housing.



- Lower front of reflector collar onto mounting bracket hooks.
- Adjust so that bracket is securely inserted beneath collar.



- Use integrated level on back of the housing to adjust the light fixture. Fixture is level when spirit level bubble is centered.



- Connect power cord from power supply to fixture.

! **ATTENTION: Install in accordance with national and local building and electrical codes.** **!**